

General Description

BFL series bag filter housings are constructed of high durable 304 & 316 stainless steel . The BFL series housings are designed to accept 3, 5 and 7 round filter cartridges. They are manufactured for easy installation, cartridge change and maintenance.

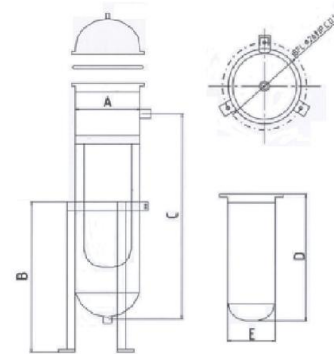
Features

- ❖ Designed for industrial grade filtration
- ❖ 304 or 316 Stainless Steel material of construction for higher durability
- ❖ V-clamp Closure allows quick, easy cartridge changeout



Specification

- ❖ Max. Design Working Pressure : 100 psig
- ❖ Material : SUS304 & SUS 316L
- ❖ Surface Treatment : Polished



Ordering Information

Model	A (mm)	B (mm)	C (mm)	D (mm)	E (mm)
BFL-1	200	500	550	350	170
BFL-2	200	700	1005	730	170
BFL-3	-	-	-	-	-
BFL-4	-	-	-	-	-

The dimension are for reference only.